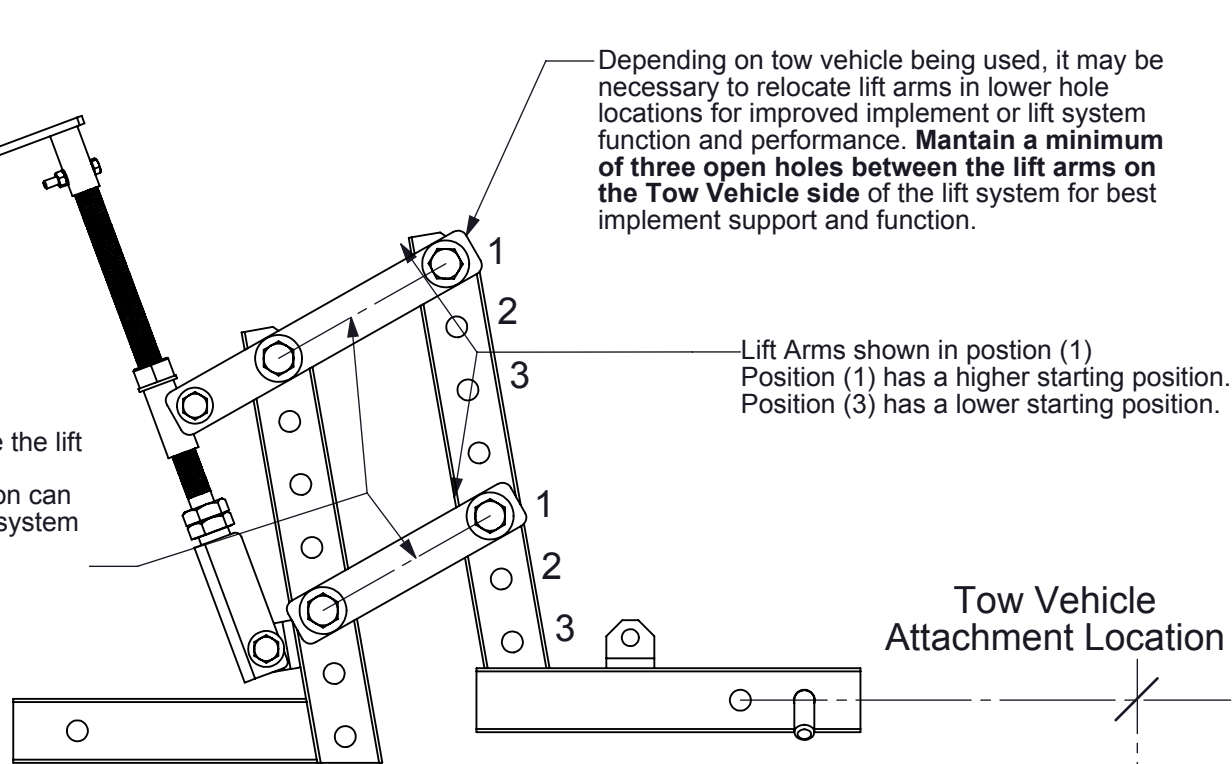


Lift System - Adjustments and Maintenance

Keep in mind, if you do choose to relocate the lift arm locations, the **lift arms must be kept in parallel with each other**. Any hole position can be used on the tow vehicle side of the lift system to best meet your needs.

Implement
Attachment Location



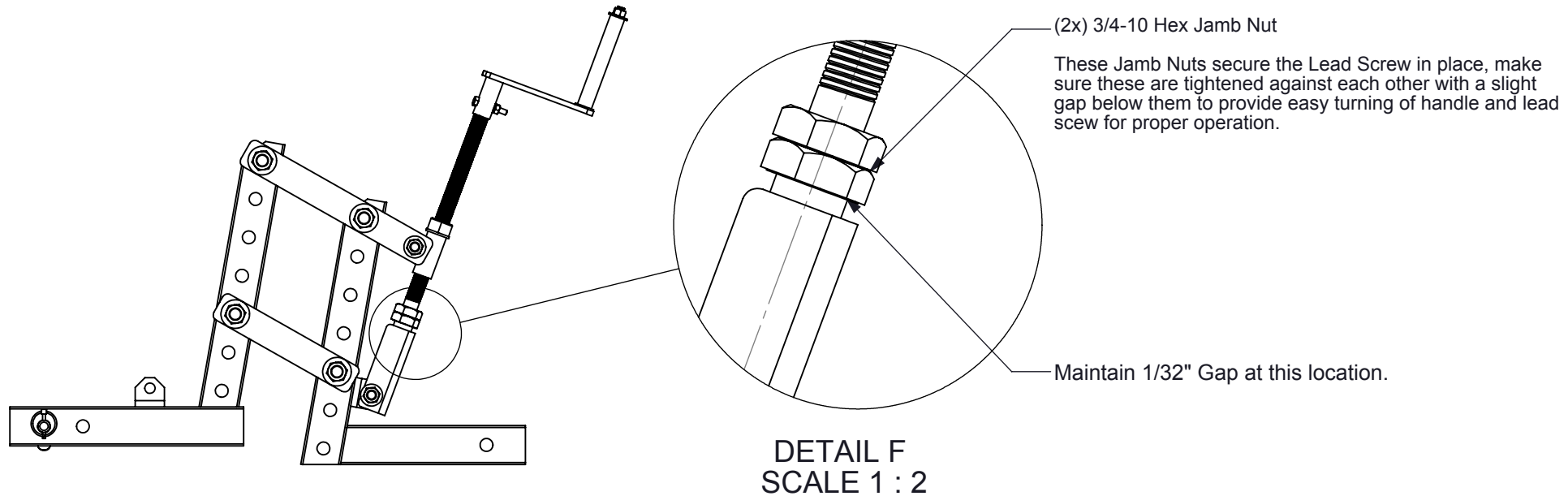
Depending on tow vehicle being used, it may be necessary to relocate lift arms in lower hole locations for improved implement or lift system function and performance. **Maintain a minimum of three open holes between the lift arms on the Tow Vehicle side** of the lift system for best implement support and function.

Lift Arms shown in position (1)
Position (1) has a higher starting position.
Position (3) has a lower starting position.

Ideal Mounting Height
10"-12" from ground when
mounted in vehicle receiver hitch

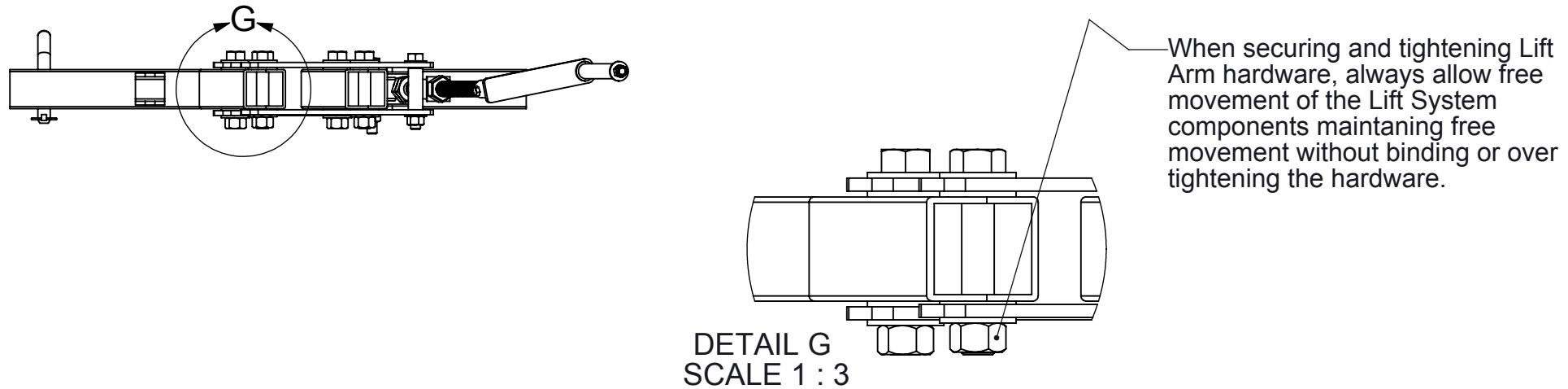
DEPENDING ON TOW VEHICLE RECEIVER HITCH MOUNTING LOCATION AND DISTANCE FROM GROUND, IT MAY BE NECESSARY TO RELOCATE THE LIFT ARM LOCATIONS TO PROVIDE BETTER FUNCTION AND OPERATION OF THE SPECIFIC IMPLEMENTS.

Lift System - Adjustments and Maintenance



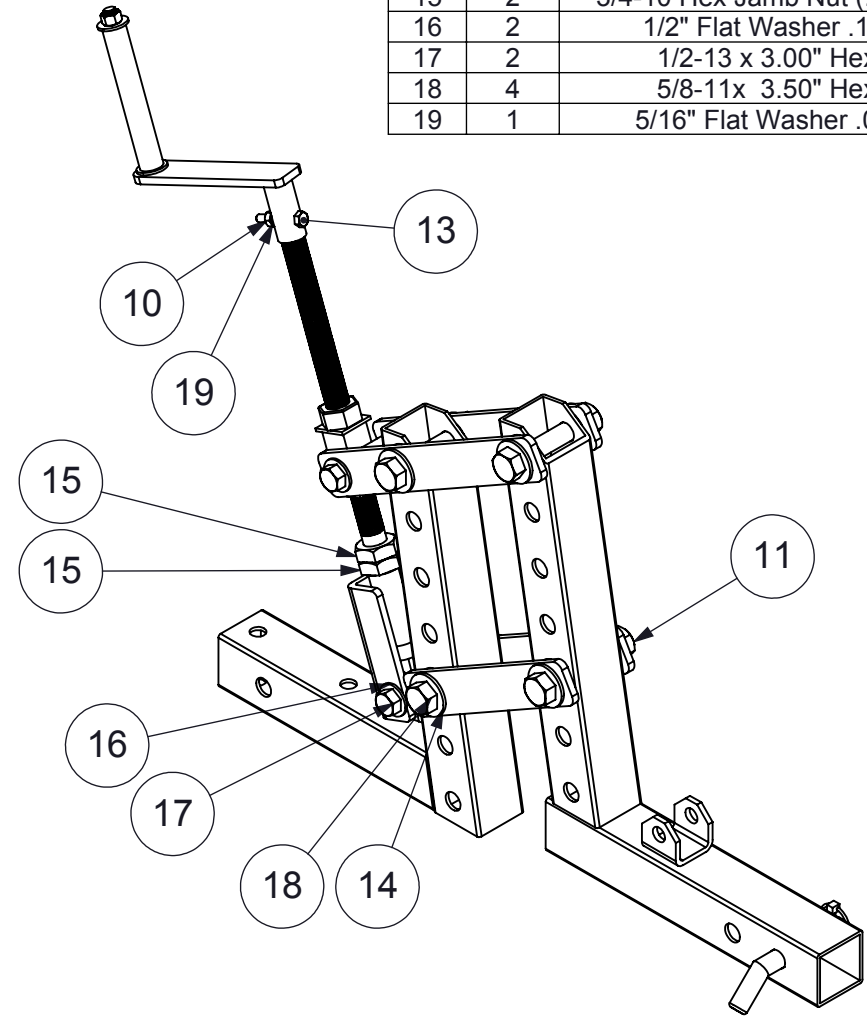
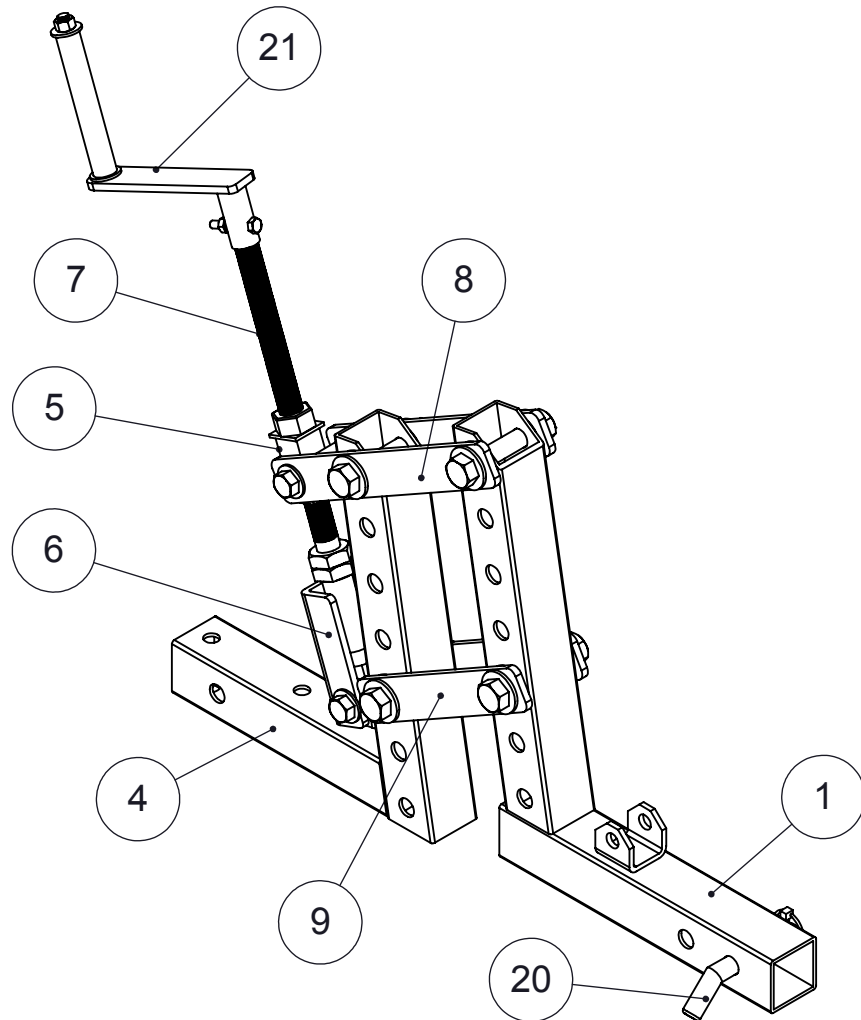
Note:

All hardware used on the Lift System should be checked from time to time for any loose, worn or damage that might have ocured during use.
Replace with similar harwdare availble at any Home Center or Hardware Store.



Component BOM		
#	QTY	DESCRIPTION
1	1	Main Hitch Frame
4	1	Tool Tube
5	1	Upper Adjustment Bracket
6	1	Lower Adjustment Bracket
7	1	Lead Screw
8	2	Lift Arm #2
9	2	Lift Arm #1
20	1	5/8" Bent Hitch Pin / Snap Clip
21	1	Handle Assembly

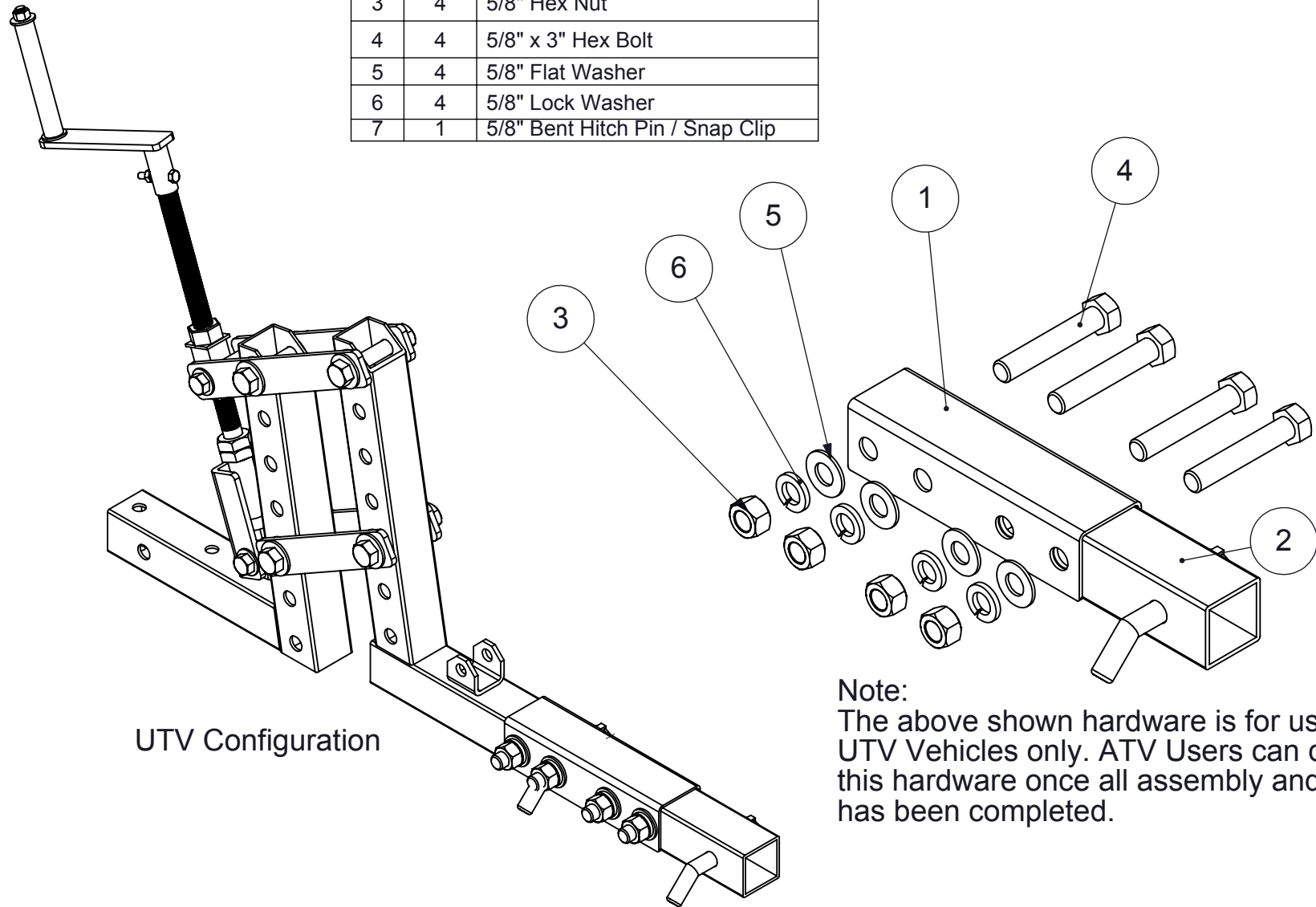
Hardware BOM		
	Qty	Description
10	1	5/16-18 Nylock Nut
11	4	5/8-11 Nylock Nut
12	2	1/2-13 Nylock Nut
13	1	5/16-18 X 2.00 Hex Bolt
14	4	5/8" Flat Washer .10" thk.
15	2	3/4-10 Hex Jamb Nut (.32" Thick)
16	2	1/2" Flat Washer .10" thk.
17	2	1/2-13 x 3.00" Hex Bolt
18	4	5/8-11x 3.50" Hex Bolt
19	1	5/16" Flat Washer .03" thk.



MOTOALLIANCE - WWW.MOTOALLIANCE.COM - (866)527-7637

UPC 810541021446
 MODEL # IP5531
 DESCRIPTION: Single Point Lift System

#	QTY	DESCRIPTION
1	1	UTV Hitch Bracket
2	1	UTV Hitch Tube
3	4	5/8" Hex Nut
4	4	5/8" x 3" Hex Bolt
5	4	5/8" Flat Washer
6	4	5/8" Lock Washer
7	1	5/8" Bent Hitch Pin / Snap Clip



UTV Configuration

Note:
 The above shown hardware is for use on UTV Vehicles only. ATV Users can discard this hardware once all assembly and installation has been completed.